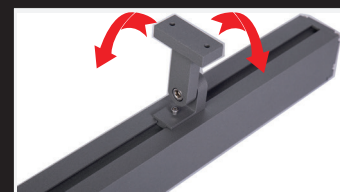
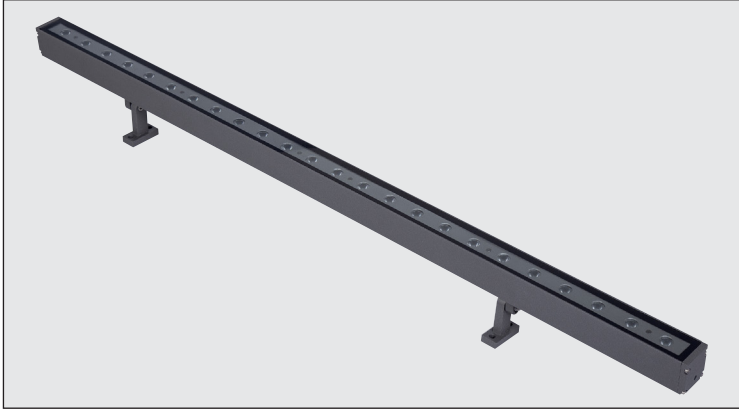


Key Advantages

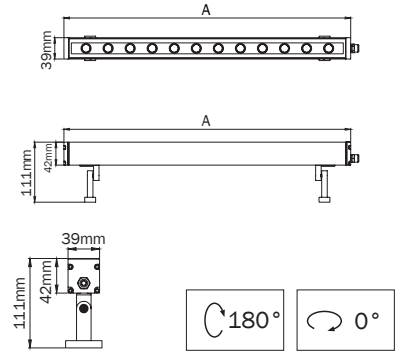
- SMD LED Linear light, fashion and beautiful appearance, with the design of increasing heat dissipation to fully ensure the stability and long lifespan of LED fixture.
- Lightray's highly distinctive, organic design enables it to be incorporated flexibly into all types of architectural structures.
- Easy to install both on the wall or on the ground via fixation arm. Practical solution for a more flexible response to the needs of lighting design.
- The body is protected by a special antioxidizing treatment for a higher resistance against aggressive agents. Salt spray test being applied to ensure stability of finishing.
- The heat generated by the light source is dissipated by means of a passive cooling system.
- Thanks to its different power, kelvin and beam angle options, can be adapted to most applications of facade lighting.



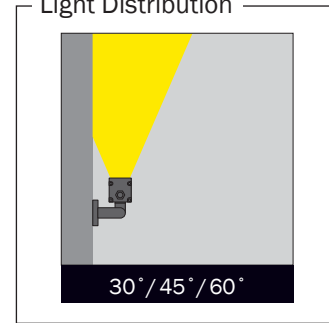


- Direct lighting luminaire for use with LEDs.
- Corrosion resistant aluminium profile body and die-cast aluminium end caps.
- Installation with bracket on floor, walls and ceiling surfaces.
- Mains voltage: 220-240V / 50-60Hz.
- Narrow, medium and wide beam angles available.
- Led colour temperatures are optionally 2700K, 3000K, 3500K, 4000K and 6000K.
- Colour Led options green, red, blue and amber available.
- Suitable for illumination up to 10-meter height.
- Optionally 2 cable entries for through-wiring of mains supply cable.
- Internal silicon gaskets ensure IP protection.
- All external screws are stainless steel.
- Double layer polyester powder paint resistant to corrosion and salt spray fog.

Dimensions



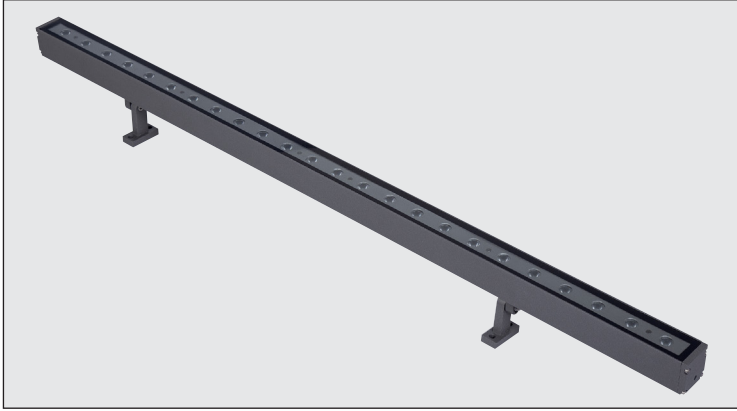
Light Distribution



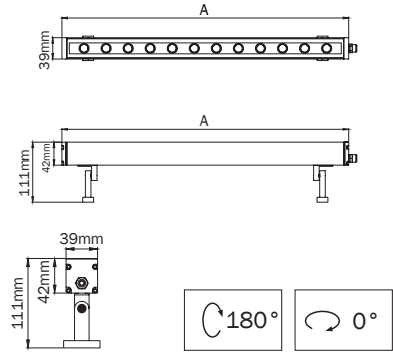
- Up to 124lm/W efficiency.
- High colour consistency: <3 SDCM
- Stainless steel cable gland and mains cable provided with IP68 socket.
- Mechanical aiming lock.
- Flexible adjusting mechanism enables fitting move 180° in one axis.

Hale-X / [LGT.130.103](#)

| Order Code | Led Type | System Power | mA | No. of Leds / | Lumen Tc=60° | Kelvin | Lenght (A) |
|----------------|----------|--------------|-----|---------------|--------------|---------------|------------|
| LGT.130.103.01 | SMD Led | 24W | 24V | 24 | 2790 | 2700K | 1000mm |
| LGT.130.103.02 | SMD Led | 24W | 24V | 24 | 2848 | 3000K | 1000mm |
| LGT.130.103.03 | SMD Led | 24W | 24V | 24 | 2906 | 3500K | 1000mm |
| LGT.130.103.04 | SMD Led | 24W | 24V | 24 | 2966 | 4000K | 1000mm |
| LGT.130.103.05 | SMD Led | 24W | 24V | 24 | 3054 | 6000K | 1000mm |
| LGT.130.103.06 | SMD Led | 24W | 24V | 24 | 1246 | Red / Kırmızı | 1000mm |
| LGT.130.103.07 | SMD Led | 24W | 24V | 24 | 1958 | Green / Yeşil | 1000mm |
| LGT.130.103.08 | SMD Led | 24W | 24V | 24 | 800 | Blue / Mavi | 1000mm |
| LGT.130.103.09 | SMD Led | 24W | 24V | 24 | 860 | Amber | 1000mm |

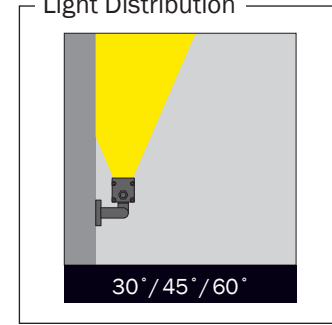


Dimensions



- Direct lighting luminaire for use with LEDs.
- Corrosion resistant aluminium profile body and die-cast aluminium end caps.
- Installation with bracket on floor, walls and ceiling surfaces.
- Mains voltage: 220-240V / 50-60Hz.
- Narrow, medium and wide beam angles available.
- Led colour temperatures are optionally 2700K, 3000K, 3500K, 4000K and 6000K.
- Colour Led options green, red, blue and amber available.
- Suitable for illumination up to 10-meter height.
- Optionally 2 cable entries for through-wiring of mains supply cable.
- Internal silicon gaskets ensure IP protection.
- All external screws are stainless steel.
- Double layer polyester powder paint resistant to corrosion and salt spray fog.

Light Distribution



- Up to 124lm/W efficiency.
- High colour consistency: <3 SDCM
- Stainless steel cable gland and mains cable provided with IP68 socket.
- Mechanical aiming lock.
- Flexible adjusting mechanism enables fitting move 180° in one axis.

Hale-L / [LGT.130.103](#)

| Order Code | Led Type | System Power | mA | No. of Leds / | Lumen Tc=60° | Kelvin | Lenght (A) |
|----------------|----------|--------------|-----|---------------|--------------|---------------|------------|
| LGT.130.103.10 | SMD Led | 12W | 24V | 12 | 1395 | 2700K | 520mm |
| LGT.130.103.11 | SMD Led | 12W | 24V | 12 | 1424 | 3000K | 520mm |
| LGT.130.103.12 | SMD Led | 12W | 24V | 12 | 1453 | 3500K | 520mm |
| LGT.130.103.13 | SMD Led | 12W | 24V | 12 | 1483 | 4000K | 520mm |
| LGT.130.103.14 | SMD Led | 12W | 24V | 12 | 1527 | 6000K | 520mm |
| LGT.130.103.15 | SMD Led | 12W | 24V | 12 | 623 | Red / Kırmızı | 520mm |
| LGT.130.103.16 | SMD Led | 12W | 24V | 12 | 979 | Green / Yeşil | 520mm |
| LGT.130.103.17 | SMD Led | 12W | 24V | 12 | 400 | Blue / Mavi | 520mm |
| LGT.130.103.18 | SMD Led | 12W | 24V | 12 | 430 | Amber | 520mm |